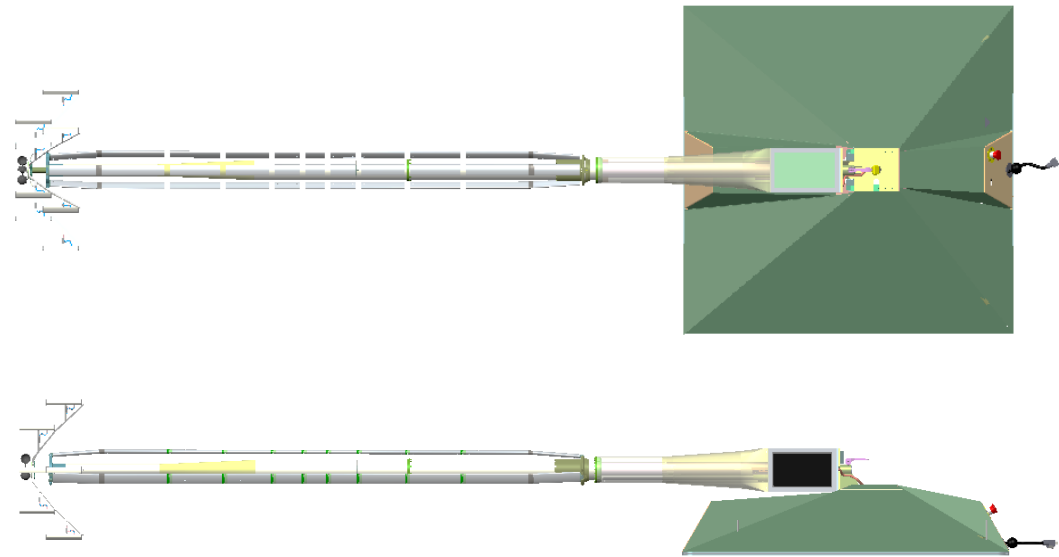
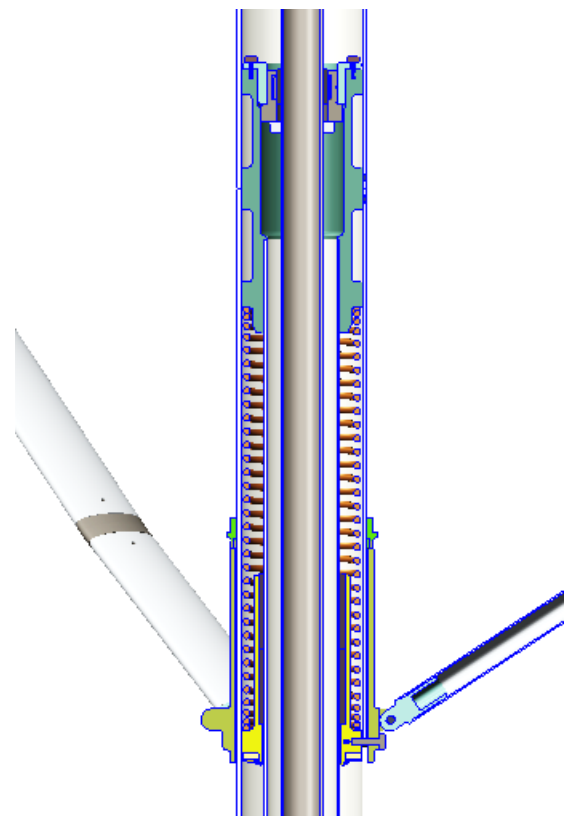
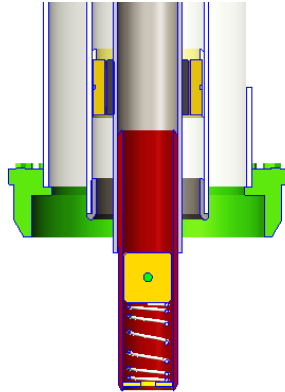
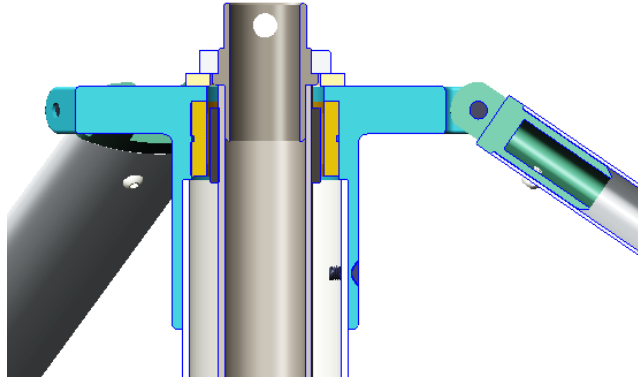
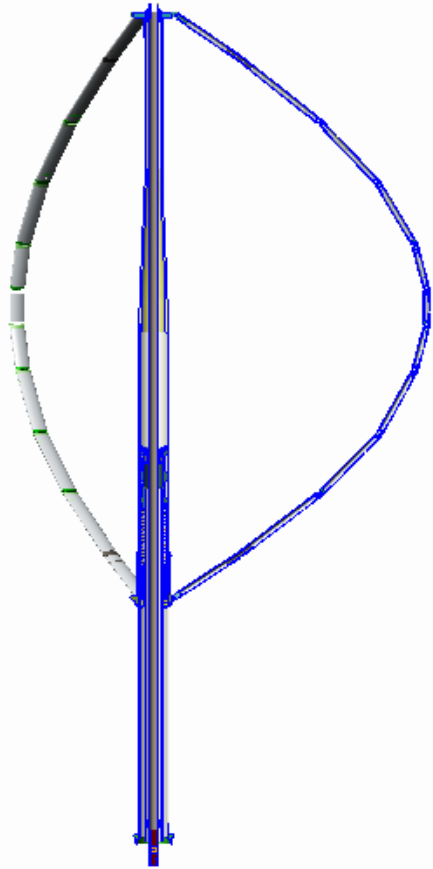


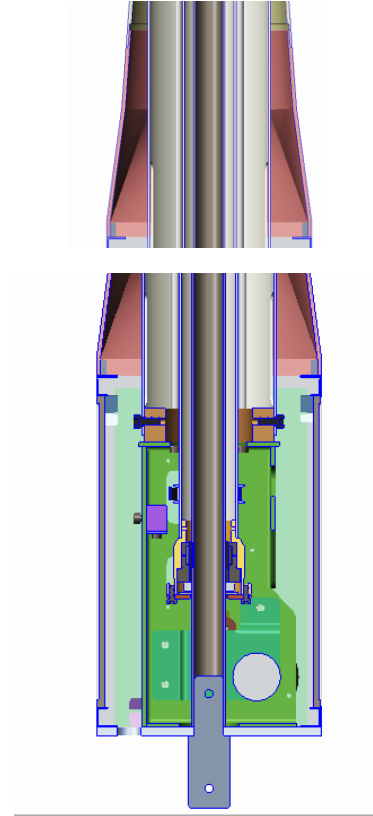
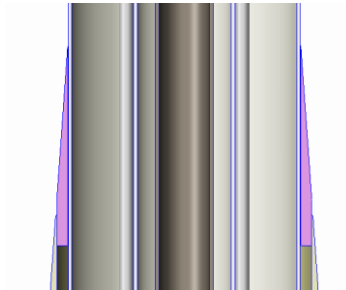
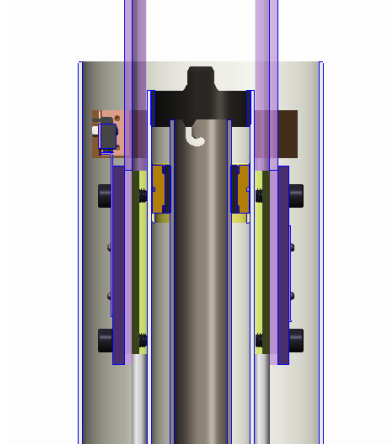
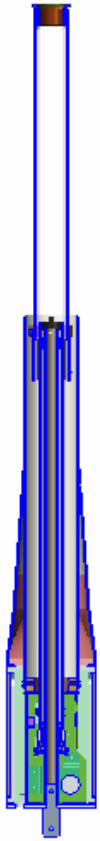
Preliminary Mechanical Design



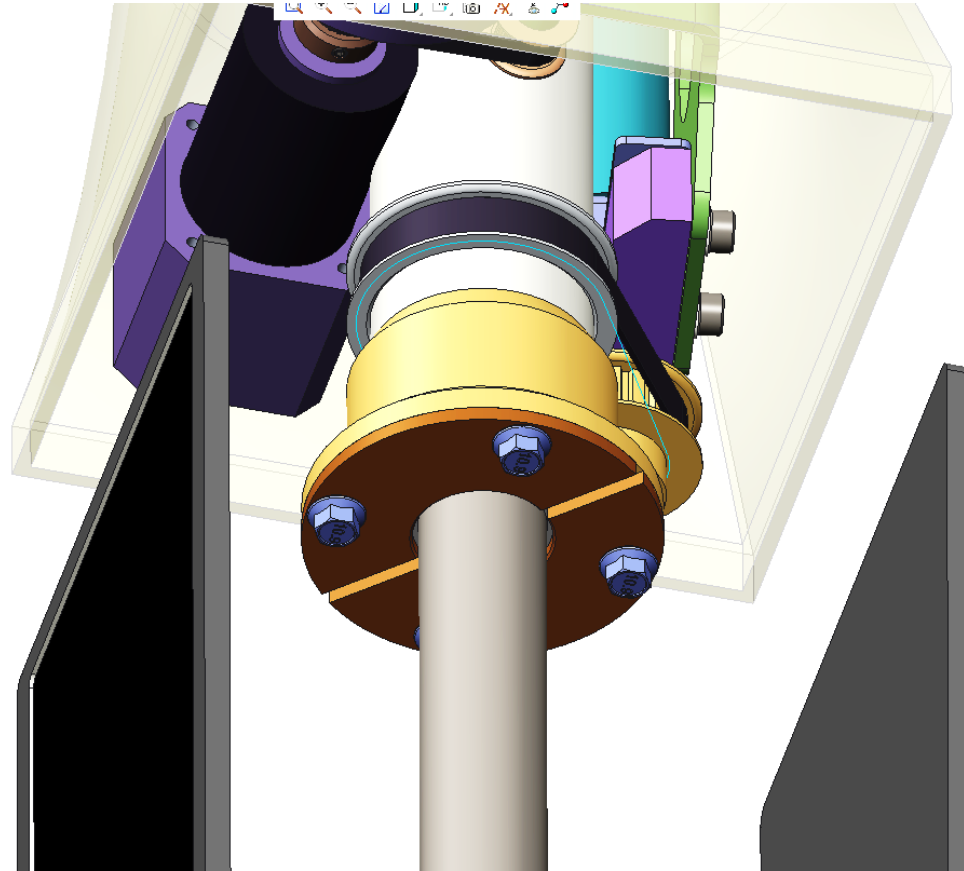
Upper Mast Assembly

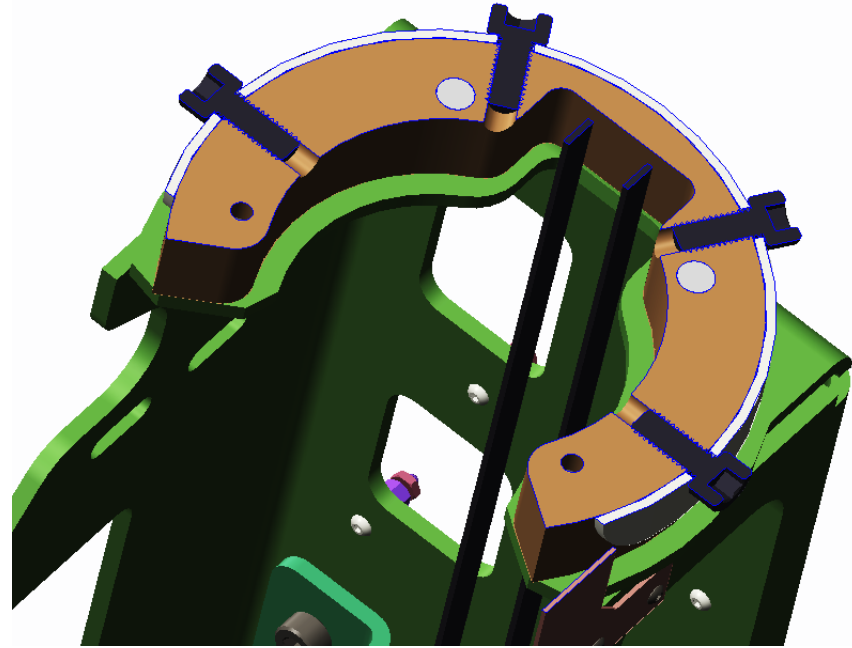
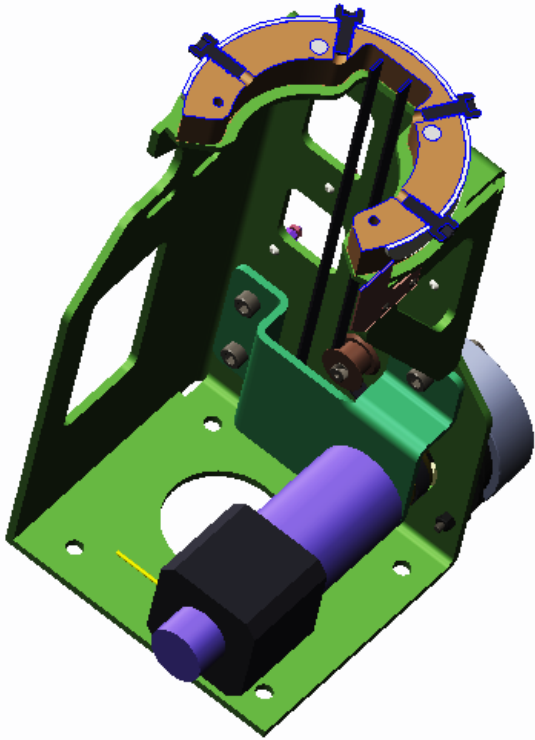


Lower Mast Assembly



Lower Mast Spin & Lift Assemblies





Base Assembly

